



The future is clean air ... the future is **Sourcetec**

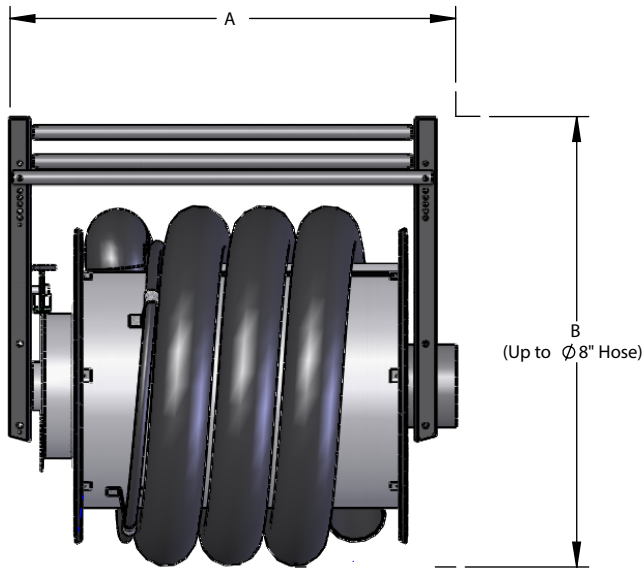
www.sourcetecindustries.com E-mail: sales@sourcetecindustries.com

Tel: (905) 678-9333 1-800-784-2383 Fax: (905) 678-7133

TECHNICAL INFORMATION

This drawing is the sole property of Sourcetec Industries Inc. We reserve the right to change specifications and details without prior notice. Unauthorized duplication, distribution or use by a third party is strictly prohibited.

SERIES "EHR" MANUAL HOSE REEL



DESCRIPTION:

EHR Manual Hose Reels are equipped with a spring pack. This allows the user to pull hose to desired position and it locks in place. To rewind the reel pull down on hose and let the hose rewind to its storage position.

MODEL	HOSE ϕ in. (mm)	HOSE UP TO ft. (m)	A in. (mm)	B in. (mm)
EHR-425	4 (102)	25 (7.6)	33 (838)	42 (1067)
EHR-625	6 (152)	25 (7.6)	39 (991)	42 (1067)
EHR-825	8 (203)	30 (9.1)	45 (1143)	42 (1067)
EHR-525EX	5 (127)	25 (7.6) *	33 (838)	42 (1067)
EHR-625EX	6 (152)	25 (7.6) **	33 (838)	42 (1067)
EHR-633EX	6 (152)	33 (10.1) ***	39 (991)	42 (1067)

NOTE: DIMENSIONS ARE APPROXIMATE & MAY VARY.

* ON EHR-525EX, APPROX. 5ft. OF HOSE HANGS OUT OF THE REEL.

** ON EHR-625EX, APPROX. 8ft. OF HOSE HANGS OUT OF THE REEL.

*** ON EHR-633EX, APPROX. 8ft. OF HOSE HANGS OUT OF THE REEL.

EHR is also available to accommodate longer hoses (consult factory)

APPLICATIONS:

- Vehicle Exhaust
- Car Dealerships
- Fleet Maintenance Garages

STANDARD FEATURES:

- Mounting Bracket
- Galvanized Drum
- Adjustable Hose Guide
- Spring Pack

OPTIONAL FEATURES:

- Chemical Resistant Hose
- Custom Adapters
- Hi- Temperature Hose
- Choice of colors