



The future is clean air ... the future is Sourcetec

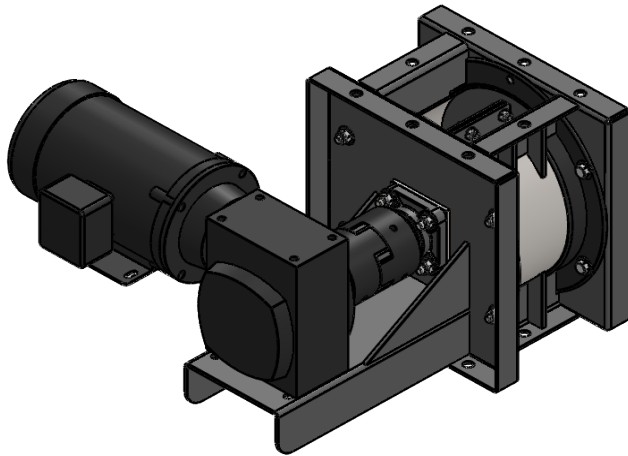
www.sourcetecindustries.com E-mail: sales@sourcetecindustries.com

Tel: (905) 678-9333 1-800-784-2383 Fax: (905) 678-7133

TECHNICAL INFORMATION

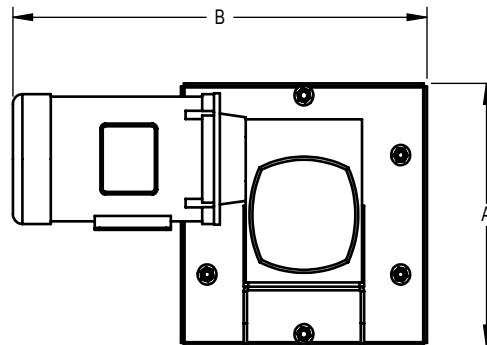
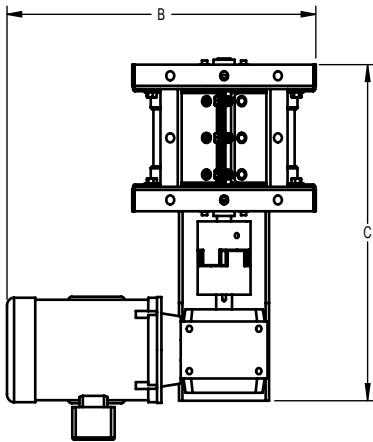
This drawing is the sole property of Sourcetec Industries Inc. We reserve the right to change specifications and details without prior notice. Unauthorized duplication, distribution or use by a third party is strictly prohibited.

ROTARY AIR LOCK SERIES "RAL"



MODEL	DIMENSIONS (in.)		
	A	B	C
RAL-6	11	21 1/2	20
RAL-10	17	24 1/2	26
RAL-14	20	26	30
RAL-18	28	29 1/2	34
RAL-24	40	36 1/2	42

** Dimensions are for reference only



APPLICATIONS:

- Dust Collection
- Furniture Manufacturers
- Woodworking Applications

STANDARD FEATURES:

- Heavy Duty Mild Steel
- 4 bolt heavy duty flange bearings
- Inlet/Outlet Flange
- TEFC Motor

DESCRIPTION:

Sourcetec Rotary Air locks are designed to efficiently transfer waste into container while maintaining system air performance. Manufactured with heavy duty mild steel and bolted sides for easy access to rotor blades, then coated with heavy duty epoxy coating. Resists pressure up to 20" w.g.