



Breathe Easier...
Breathe Better!



Application

- ✓ Suction of fairly dusty air
- ✓ Exhaust and supply air applications
- ✓ Used extensively for air conveying, including assembly and packaging operations
- ✓ Exhausting fumes and high temperature gases or air in industrial ovens, and for forced draft applications

Description

The Sourcetec Direct Drive Motor Blower SBC are high performance direct drive multi-purpose fans. The blower is equipped with a backward inclined wheel that is recognized as an efficient and a non-overloading fan blade design. All our fans are equipped with TEFC motors.

Construction

Housing and base are fabricated from heavy gauge steel with continuous air-tight weld. Standard unit comes with a steel wheel. Aluminum and stainless steel wheels are optional.

Capacities

Tested and rated in accordance with codes adopted by AMCA and ASHRAE. Low to medium flow rates, average pressure.

Rotation and Discharge

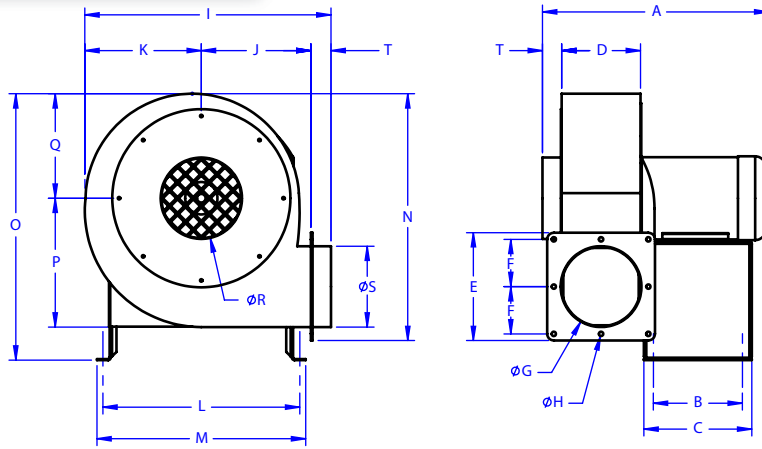
For versatility, housing can be installed on the floor, ceiling or wall in any one of four basic discharge positions.

www.sourcetecindustries.com

*The future is clean air ... the future is **Sourcetec**[®]*

Sourcetec Direct Drive Motor Blower SBC SERIES

Dimensions & Specifications

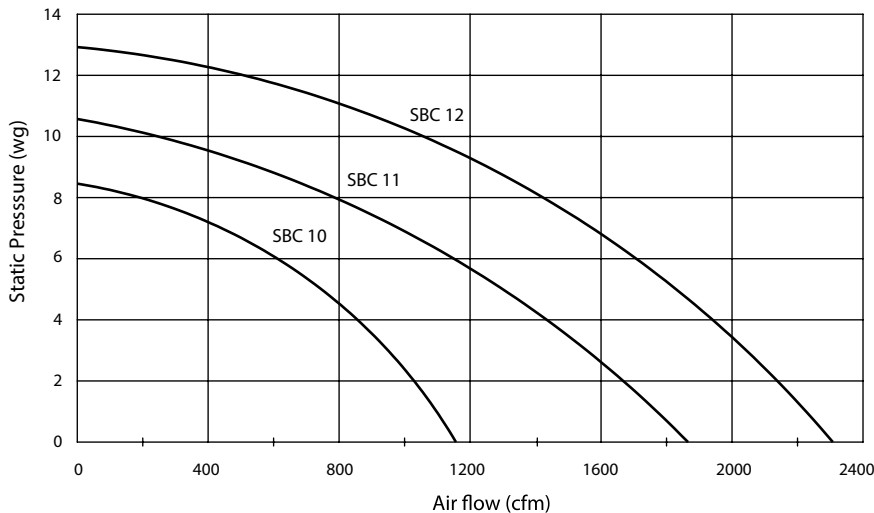


FAN Model	Motor HP	Motor RPM	A	B	C	D	E	F	G	H	I
SBC-10	1HP	3500	16.45	6.50	7.80	5.75	7.87	3.45	5.90	0.255	17.80
SBC-11	2HP	3500	19.96	7.68	8.98	7.13	9.84	4.56	7.95	0.355	20.39
SBC-12	3HP	3500	21.85	8.67	11.81	8.11	9.84	4.53	7.95	0.355	22.52

FAN Model	J	K	L	M	N	O	P	Q	R	S	T
SBC-10	8.00	8.50	14.30	15.40	18.10	19.40	9.40	7.60	5.90	5.90	1.34
SBC-11	9.13	9.41	15.35	16.38	20.24	20.79	10.28	8.50	7.95	7.95	1.89
SBC-12	9.92	10.71	17.00	18.19	22.32	24.49	11.05	9.53	7.95	7.95	1.89

*Dimensions are for reference only
 *L - 110-220/1/60, M - 208-230/460/3/60, N - 575/3/60

Performance Curves



Distributed by:

OTHER SOURCETEC PRODUCTS



Roof & Wall Exhauster



Pressure Blower



Belt Drive Fan



Industrial Blower

ACCESSORIES & OPTIONS



Heat Slinger

Designed to prevent over-heating for blowers handling air at temperatures over 250° F (not suggested for use with direct drive blowers)



Inlet & Outlet Screens

Prevent entrance of birds or debris and provide protection of personnel



Automatic Backdraft Dampers

Designed to prevent reverse flow of air when blower is not operating



Vibration Isolator

Designed to provide even distribution of weight

Other Options Include:

Access Door

OSHA Cover

Weather Cover

Inlet & Outlet Flanges

Vibration Rail

Drainage

Distributed by:



The future is clean air ... the future is Sourcetec®

We reserve the right to change specifications without notice.

Sourcetec Industries Inc.

Ontario, Canada

Tel: (905) 678-9333 Fax: (905) 678-7133

Ohio, USA

1-800-784-2383

www.sourcetecindustries.com

E-mail: sales@sourcetecindustries.com

B-SBC 01/18