



The future is clean air ... the future is **Sourcetec**

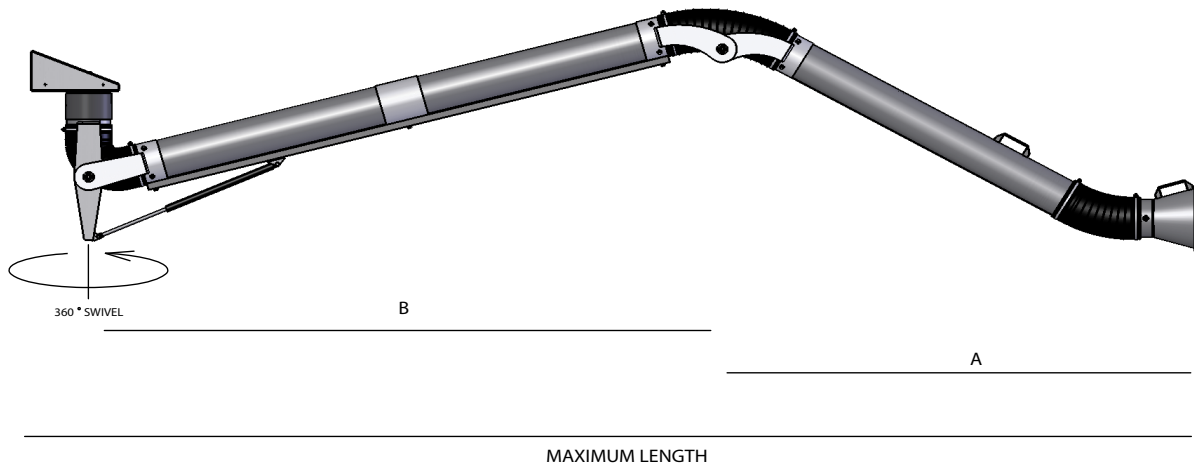
www.sourcetecindustries.com E-mail: sales@sourcetecindustries.com

Tel: (905) 678-9333 1-800-784-2383 Fax: (905) 678-7133

## TECHNICAL INFORMATION

This drawing is the sole property of Sourcetec Industries Inc. We reserve the right to change specifications and details without prior notice. Unauthorized duplication, distribution or use by a third party is strictly prohibited.

### SOURCEARM SERIES "SWST" SOLID TUBE FUME EXTRACTION ARM



MAXIMUM LENGTH

MODEL #	A	B	MAX LENGTH FT (m)
SWST-5X	23" (508mm)	30-1/4" (768mm)	5' (1.5m)
SWST-6X	29-1/2" (749mm)	35-1/4" (899mm)	6' (1.8m)
SWST-7X	38-1/2" (978mm)	38-1/4" (972mm)	7' (2.1m)
SWST-8X	43-1/2" (1105mm)	45-1/4" (1149mm)	8' (2.4m)
SWST-9X	52-1/2" (1334mm)	48-1/4" (1226mm)	9' (2.7m)
SWST-10X	58-1/2" (1486mm)	54-1/4" (1378mm)	10' (3m)
SWST-11X	64-1/2" (1638mm)	60-1/4" (1530mm)	11' (3.3m)
SWST-12X	70-1/2" (1791mm)	66-1/4" (1683mm)	12' (3.6m)
SWST-13X	77-1/2" (1968mm)	71-1/4" (1810mm)	13' (4m)
SWST-14X	89-1/2" (2273mm)	71-1/4" (1810mm)	14' (4.3)

\*X stands for hose dia. available in sizes 4" to 8"

\* \*SWST-5X has no gas spring

#### DESCRIPTION:

SWST SourceArm is made of a solid aluminum tube with a 360 degree swivel and comes in lengths 5' to 14ft. The joints are unique and mounted externally to allow ease of adjustment. SWST is equipped with a heavy duty PVC based flexible tube for externally rough use with excellent flexibility and abrasion characteristics.

#### APPLICATIONS:

- Source Capture
- Welding
- Pharmaceutical
- Metal Fabrication shops
- General Fume and Dust

#### STANDARD FEATURES:

- 4 Way Swivel
- Mounting Bracket
- Air Tight adjustable 360 degree swivel
- Spark Resistant Design
- Flexible PVC Coated Hose
- Aluminum Intake Hood with adjustable damper
- Matte Black Finish

#### OPTIONAL FEATURES:

- Chemical Resistant Hose
- Stainless Steel support
- Custom Hoods
- Hi-temperature hose
- Other colors and finishes available
- Larger Diameters/Lengths are also available some restrictions apply