



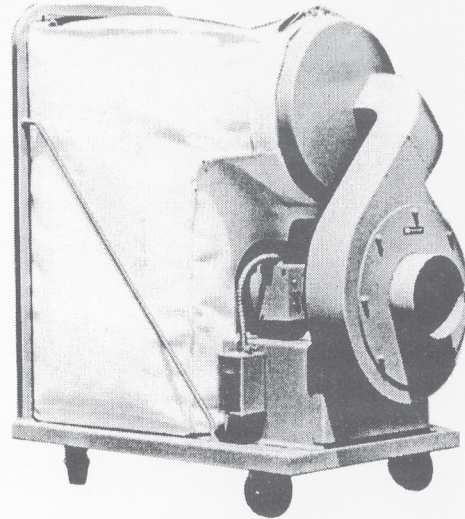
Sourcetek

Portable Dust Collectors SERIES "PD"

General Description

PD1 Portable Dust Collector

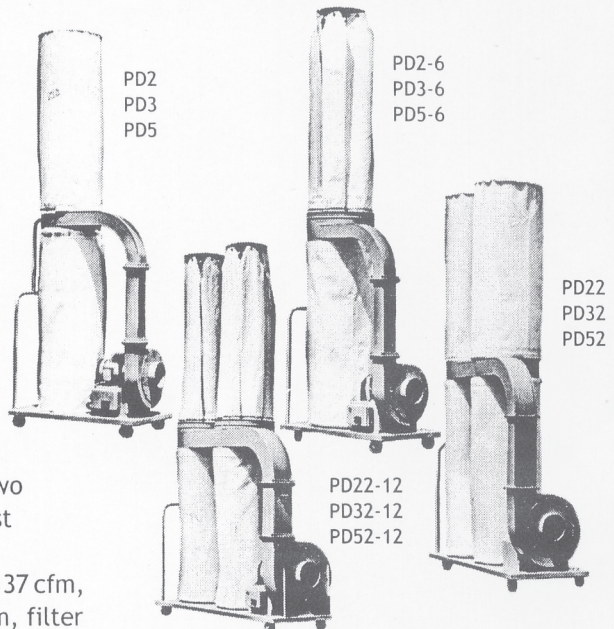
PD1 portable dust collector is a very compact model, has 1 HP blower and motor, 810 cfm at 1" S.P., can service 3x3", 2x4", or 1x6" inlets. Unit is only 45" long, 37" high and 20" wide. The PD1 is very well suited for light to medium, coarse or granular dust loads or very light, fine dust loads of wood, plastic, rubber, leather, etc. It requires very little maintenance and will run trouble-free for years when handled with normal consideration. The guarantee is for one year against defects in workmanship or material. The unit is complete with casters, switch, cord with plug and filter bag. For heavy loads of mixed and fine dust, consider models with more filter area, such as PD2 or PD22-13, etc.



PD Portable Dust Collectors

PD2 PD2-6 PD22 PD22-12
 PD3 PD3-6 PD32 PD32-12
 PD5 PD5-6 PD52 PD52-12

The 2 HP, 3 HP and 5 HP portable dust collectors come in four different filter area and load capacities. For light to medium coarse dust loads: models PD2, PD3, and PD5 all have one top and bottom filter bag. Heavy coarse and medium, dust loads: models PD22, PD32 and PD52, two top and two bottom filter bags. Light and medium fine dust loads or mixed dust loads: models PD2-6, PD3-6 and PD5-6, six top and one bottom filter bags. For heavy fine and mixed dust loads, consider PD22-12, PD32-12 or PD52-12 with twelve top and two bottom filter bags. For extremely fine and heavy dust loads, the cyclone units will give better service. The 2HP units handle 1200 cfm, 3HP 160f cfm and 5HP 2137 cfm, at 1" S.P. All units come with switch, casters, platform, filter bags (or drums), TEFC motors and blowers.



(other models are also available)

Central systems are also available. Check with factory.
 We reserve the right to change specifications without notice.

Mississauga, Ontario, Canada
 Tel: (905) 678-9333 Fax: (905) 678-7133
 Holland, Ohio, USA 1-800-784-2383

www.sourcetekindustries.com E-mail: sales@sourcetekindustries.com

The future is clean air ... the future is **Sourcetek**®